

MT503CP-ISOELB

GUM Shower Range 15mm Thermostatic Mixing Valve with Isolation Elbows



Specification

Style:	Utility
Finish/Colour:	Chrome
Main Construction Material:	Brass
No of Controls:	1
Shower Type:	Thermostatic Mixing
Maximum Hot Water Supply Temperature °C:	80
Minimum Dynamic Pressure (bar):	5
Maximum Static Pressure (bar):	10
Plumbing Systems Suitability:	All preferably balanced
Working Pressure Range:	Min. 0.1 - Max. 2.0 bar
Connection Inlet:	15mm
Connection Outlet:	15mm
Isolation Valve Included:	Yes
Check Valve Included:	Yes

Features:

- Elbows allow the valve to be concealed behind a pedestal
- Isolation at mixing point facilitates easy servicing
- Automatic shutoff in the event of hot or cold water supply failure
- Check valves and serviceable filters as standard

Product Certifications:



WRAS Certificate No: 2303901
WRAS Expiry Date: 31/03/2028



TMV3 Certificate No: NSF2584/0223
TMV3 Expiry Date: 20/02/2028

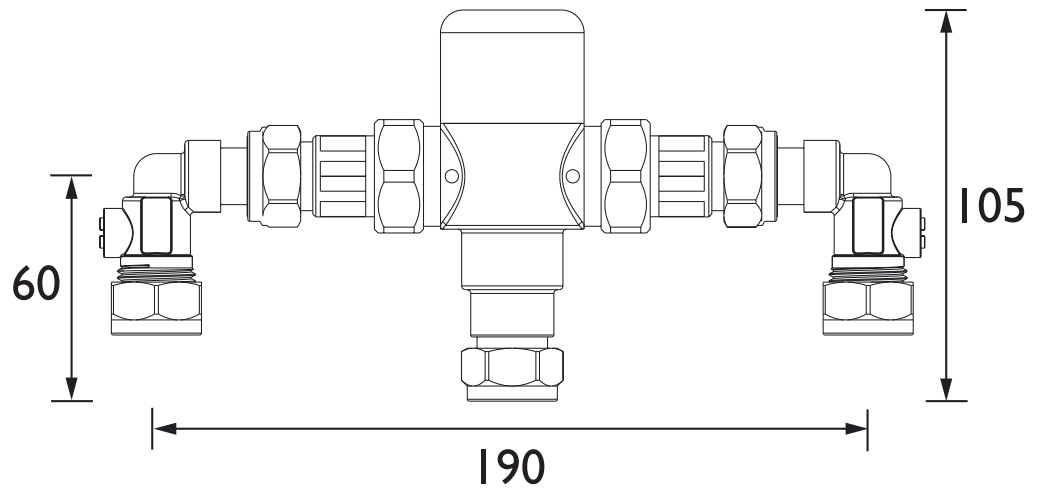


TMV2 Certificate No: NSF 2407542
TMV2 Expiry Date: 25/07/2029

For more products, visit our website:
<http://www.bristan.com>



Dimensions (measurements in mm)



Flow Rates (l/min)

System Pressure (bar)	0.2	0.5	1	2
Open Mixed Outlet	8.5	15	21.5	31

TECHNICAL
DATA
SHEET



BRISTAN

D6.1