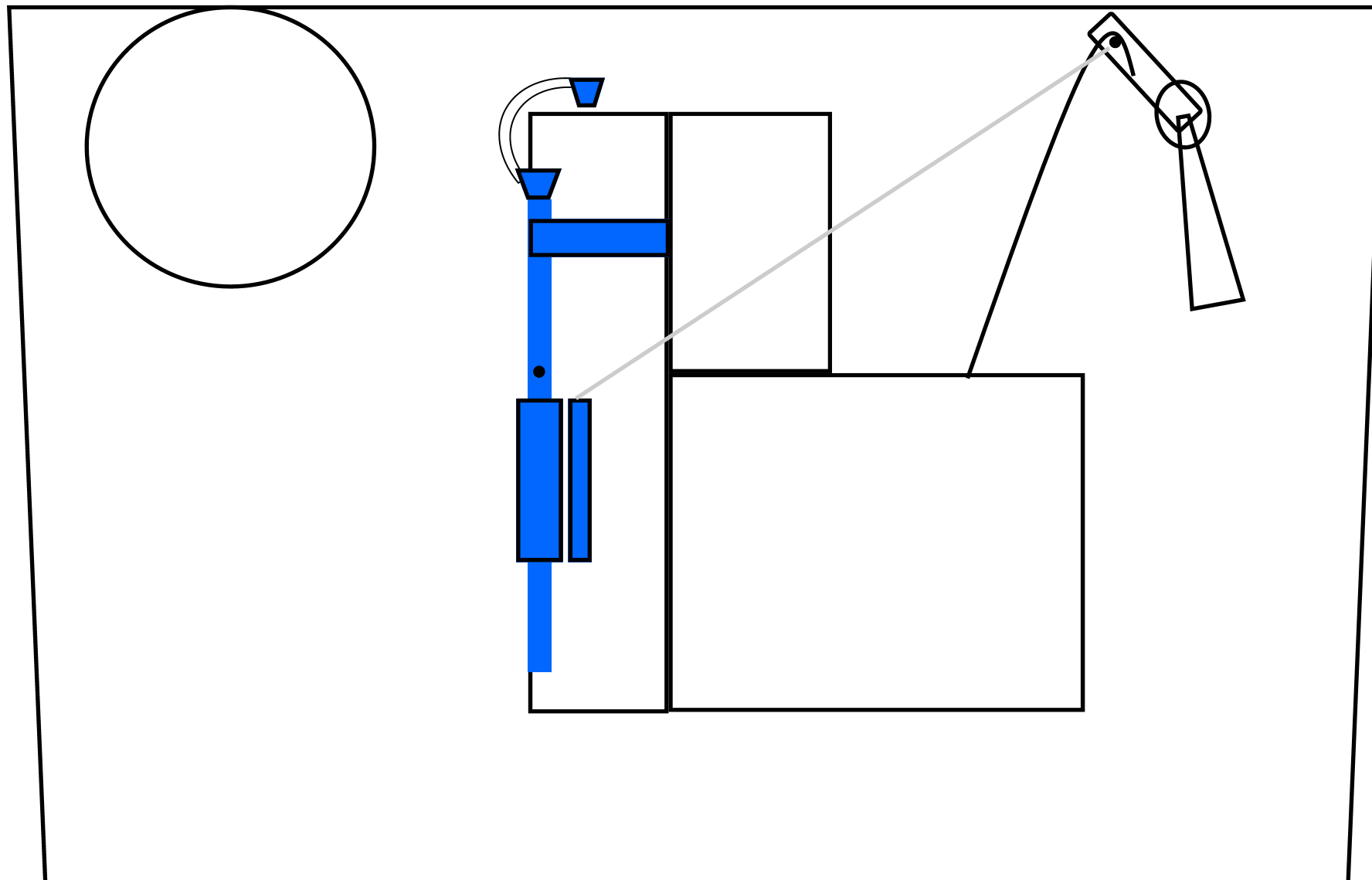




With handle depressed for half flush, occasionally a limited lift is available. Dependent on siphon type, cistern size, and flush handle. Extensive use has resulted in numerous installations with stretched cord and tightened knots. Resulting in poor full flush performance. Or no full flush at all.



With cord directed through eyelet we feel that better vertical lift will be achieved.

